

SINGLE PHASE SPEED CONTROLLER

RMB

Single phase speed controller by auto-transformer



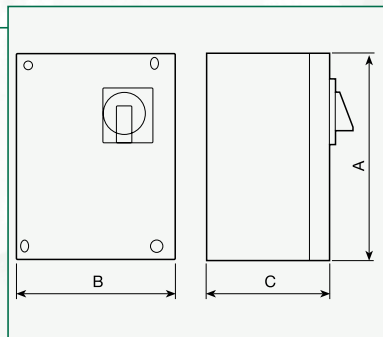
IP56 ABS casing.

Electrical supply: 1/230V/50-60Hz.

Five position knob (0/1/2/3/4).

Voltage: 80, 105, 130, 160 and 230 V.

Pilot light.



Model	Maximum current (A)	Casing	IP Protection	Dimensions			Weight (Kg)
				A	B	C	
RMB-1,5	1,5	ABS	IP56	230	180	95	3
RMB-3,5	3,5						4
RMB-8	8			10			
RMB-10	10			12			

RMT

Three phase speed controller by auto-transformer



IP54 ABS casing for RMT-1,5 and RMT-2,5 models.

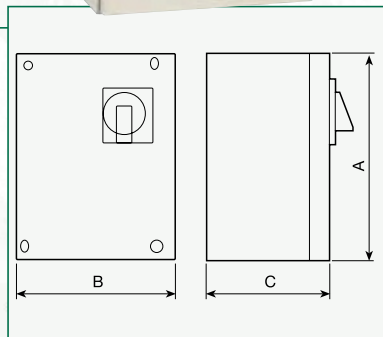
IP54 metallic casing from RMT-5 to RMT-12 models.

Electrical supply: 3/400V/50-60Hz.

Five position knob (0/1/2/3/4).

Voltage: 90, 150, 200, 280 and 400 V.

Pilot light.



Model	Maximum current (A)	Casing	IP Protection	Dimensions			Weight (Kg)
				A	B	C	
RMT-1,5	1,5	ABS	IP54	300	220	125	6
RMT-2,5	2,5	ABS		300	220	125	13
RMT-5	5	Metallic		300	247	200	16
RMT-8	8	Metallic		400	300	205	21
RMT-12	12	Metallic		400	300	205	30